

The **Type IV Switch Valve** is used to form two branches in a single conveying line handling large, lump material, and/or materials at high temperature. It is self supporting and may be mounted in the vertical, horizontal, or intermediate positions.

The **Inflatek Valve** is a superior valve for operating with abrasive materials and with a pressure differential. It is able to close **through** the column of material and achieve a **pressure tight seal**.

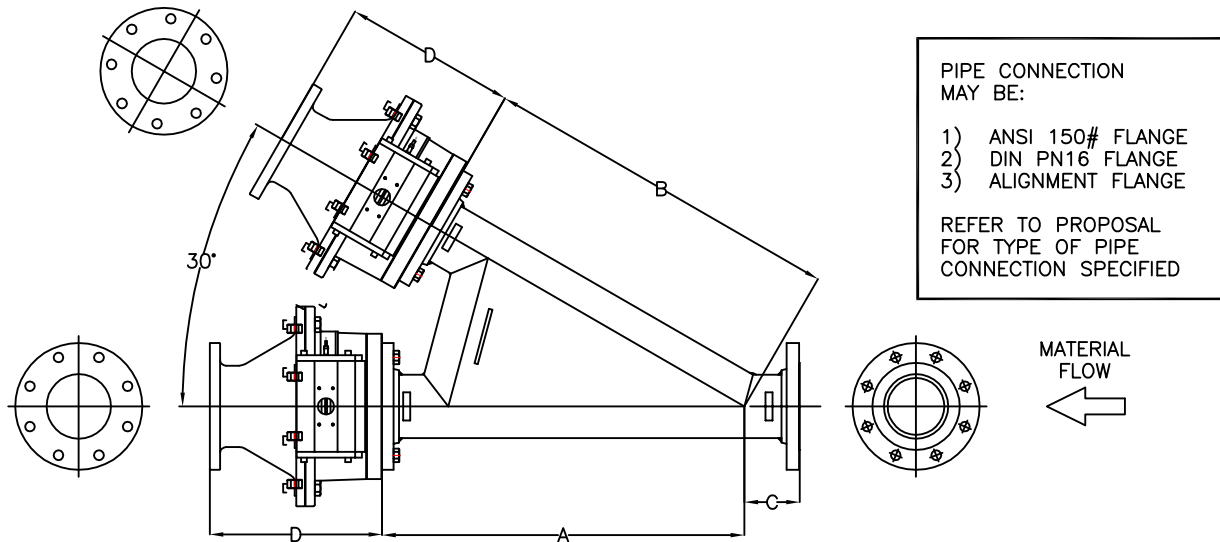
The **IV Type Switch Valve** is a superior valve design for heavy duty requirements with demanding abrasive and/or hot materials and is maintenance free and durable for long life.

## **Mactenn**

### **A Macawber Group Company**

ADVANCED PNEUMATIC CONVEYING & INJECTION SYSTEMS  
VALVES FOR ABRASIVE MATERIALS AND PRESSURE DUTY  
BATCH MIXING AND INGREDIENT CONTROL  
COMPLETE BULK MATERIAL SYSTEM DESIGN AND TURNKEY SUPPLY

TYPE IV SWITCH VALVE



MODEL (PIPE SIZE)	DIMENSIONS (MM)				NET WT. (KG)
	A	B	C	D	
50 MM	654	648	102	152	91
75 MM	1346	1295	102	378	95
100 MM	1137	1137	152	340	129
125 MM	1124	1200	152	394	215
150 MM	1124	1200	152	394	284
200 MM	1156	1156	203	476	401
250 MM	1194	1200	203	521	699
300 MM	1270	1270	203	572	900
350 MM	1238	1245	254	768	1306
400 MM	1238	1245	254	768	1402

INFORMATION NOT CERTIFIED FOR INSTALLATION PURPOSES

**Mactenn**

**A Macawber Group Company**

ADVANCED PNEUMATIC CONVEYING & INJECTION SYSTEMS  
VALVES FOR ABRASIVE MATERIALS AND PRESSURE DUTY  
BATCH MIXING AND INGREDIENT CONTROL  
COMPLETE BULK MATERIAL SYSTEM DESIGN AND TURNKEY SUPPLY