



The **MultiAshflo®** system is an effective low cost system for the transfer of ash or dust from a line of feed hoppers from Electro Static Precipitators (ESP) or baghouses. It is low cost and low profile and uses less energy than any other solution to multi-pickup point handling. The conveying vessel is a small casting with a heavy wall and is a simple low cost single piece item.

The operating process is extremely simple where each conveying cycle is designed to remove the material from all feed points on the row. This method ensures a normally empty hopper which is essential for correct operation of the gas cleaning process of the utility and industrial boiler plant.

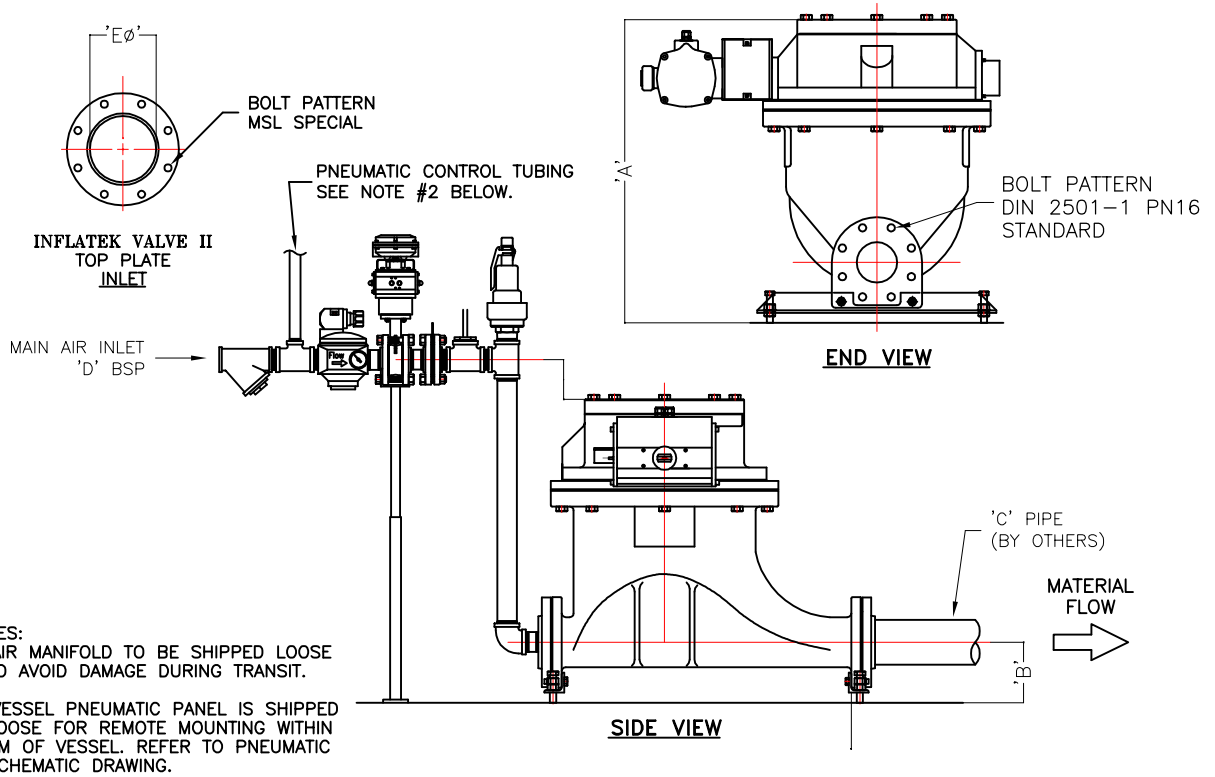
The feed into the **MultiAshflo®** is a **Inflatek Valve®** designed for high temperature operation up to 350°C. The **Inflatek Valve®** is well proven to close and seal through a moving column of fly ash with extreme reliability. This has been very well proven in very many installations since its introduction in 1977.

A wide range of system sizes are available to satisfy any fly ash or dust handling requirement for installations of any size. The system design and components are subject to continuous development and improvement for lower product cost and performance.

Mactenn

A Macawber Group Company

ADVANCED PNEUMATIC CONVEYING & INJECTION SYSTEMS
VALVES FOR ABRASIVE MATERIALS AND PRESSURE DUTY
BATCH MIXING AND INGREDIENT CONTROL
COMPLETE BULK MATERIAL SYSTEM DESIGN AND TURNKEY SUPPLY



MODEL	DIMENSIONS (MM)					NET WT. (KG)
	A	B	C	D	E	
20/6-2	597	140	50	1" BSP	150	190
42/8-4	782	150	100	1 1/2" BSP	200	260
85/8-5	914	200	125	2" BSP	200	381
140/8-6	1180	200	150	2 1/2" BSP	200	954
280/12-8	1713	229	200	3" BSP	300	1407
420/12-10	2100	262	250	4" BSP	300	1554

INFORMATION NOT CERTIFIED FOR INSTALLATION PURPOSES

Mactenn

A Macawber Group Company

ADVANCED PNEUMATIC CONVEYING & INJECTION SYSTEMS
 VALVES FOR ABRASIVE MATERIALS AND PRESSURE DUTY
 BATCH MIXING AND INGREDIENT CONTROL
 COMPLETE BULK MATERIAL SYSTEM DESIGN AND TURNKEY SUPPLY