

The well-proven **Maxflo®** is a low velocity dense-phase conveying system assembly that is widely used throughout all process industries in all countries of the world.

Introduced in 1974, the system achieves low material transfer velocities, and the benefits are considerably reduced wear to conveying pipelines as well as remarkable power cost savings.

The system is available in a wide range of sizes and materials of construction for applications with almost all bulk materials where operating economy and extreme reliability is required.

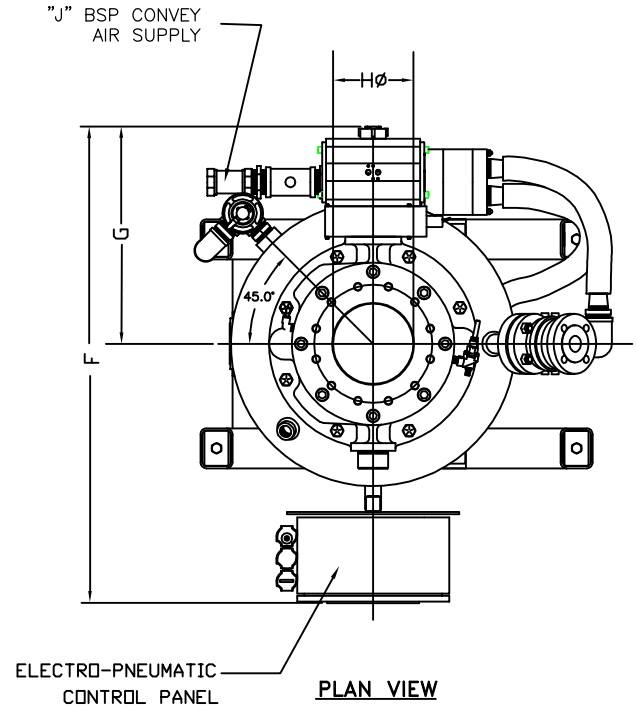
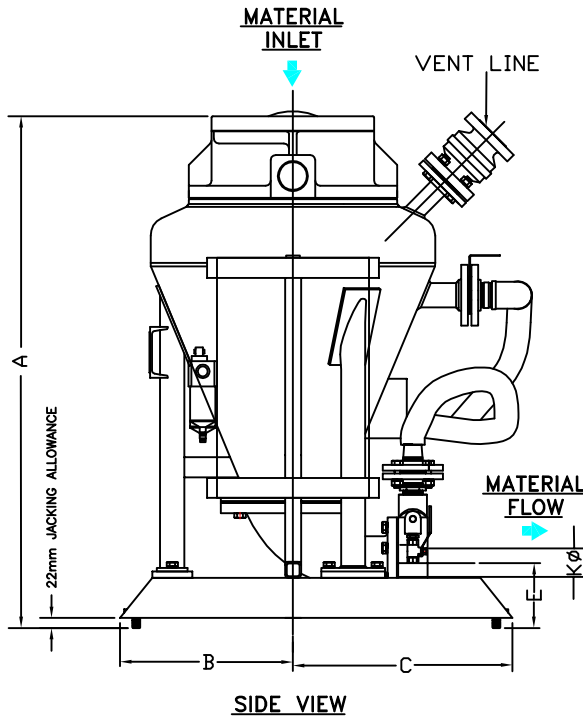
The only moving part in the system is the quarter turn **Inflatek Valve®**. Designed for more than one million cycles between inspections, the valve exceeds the performance of all other valves where continuous service with abrasive materials and a secure pressure differential is required.

The **Maxflo®** is fully assembled and tested and requires only connection to the conveying pipeline and the operating utilities.

Mactenn

A Macawber Group Company

ADVANCED PNEUMATIC CONVEYING & INJECTION SYSTEMS
VALVES FOR ABRASIVE MATERIALS AND PRESSURE DUTY
BATCH MIXING AND INGREDIENT CONTROL
COMPLETE BULK MATERIAL SYSTEM DESIGN AND TURNKEY SUPPLY



MODEL	DIMENSIONS (MM)									NET WT. (KG)
	A	B	C	E	F	G	H	J	K	
114/4-4	1269	400	337	162	1190	543	200	50	102	335
114/8-4	1279	400	337	162	1190	543	200	50	102	455
228/8-5	1503	400	377	241	1252	535	200	50	127	525
342/8-6	1725	400	327	252	1285	533	200	63	152	555
342/12-6	1807	400	327	235	1131	521	300	63	152	753
570/12-8	2026	400	400	219	1127	435	300	76	203	1157
857/12-10	2276	480	502	305	1153	375	300	76	254	1501
1428/12-12	2956	480	502	337	1607	781	300	76	305	2019
2125/16-12	3680	480	495	305	1607	781	400	101	254	2450
2825/16-12	4230	480	502	337	1848	898	400	127	305	3130
3500/16-12	4759	480	502	337	2247	1092	400	153	305	3850

INFORMATION NOT CERTIFIED FOR INSTALLATION PURPOSES

Mactenn

A Macawber Group Company

ADVANCED PNEUMATIC CONVEYING & INJECTION SYSTEMS
 VALVES FOR ABRASIVE MATERIALS AND PRESSURE DUTY
 BATCH MIXING AND INGREDIENT CONTROL
 COMPLETE BULK MATERIAL SYSTEM DESIGN AND TURNKEY SUPPLY